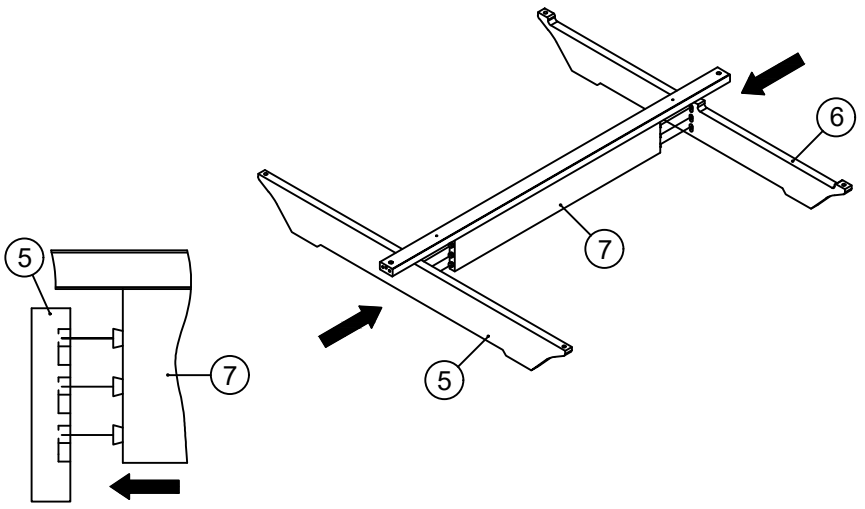
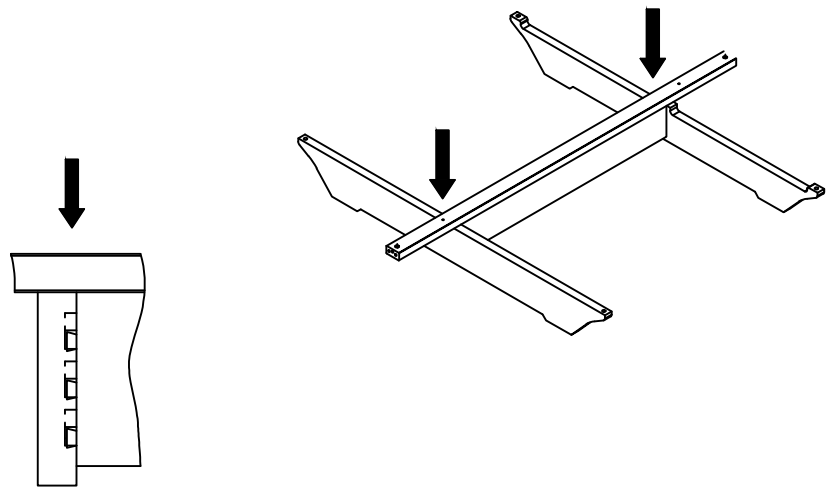


Schwebebett

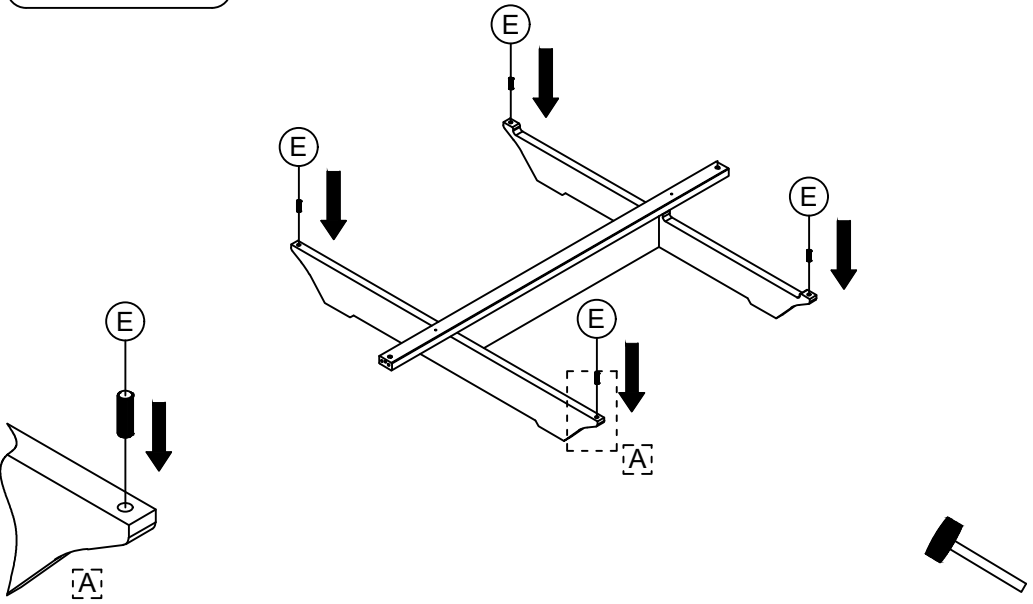
1



2

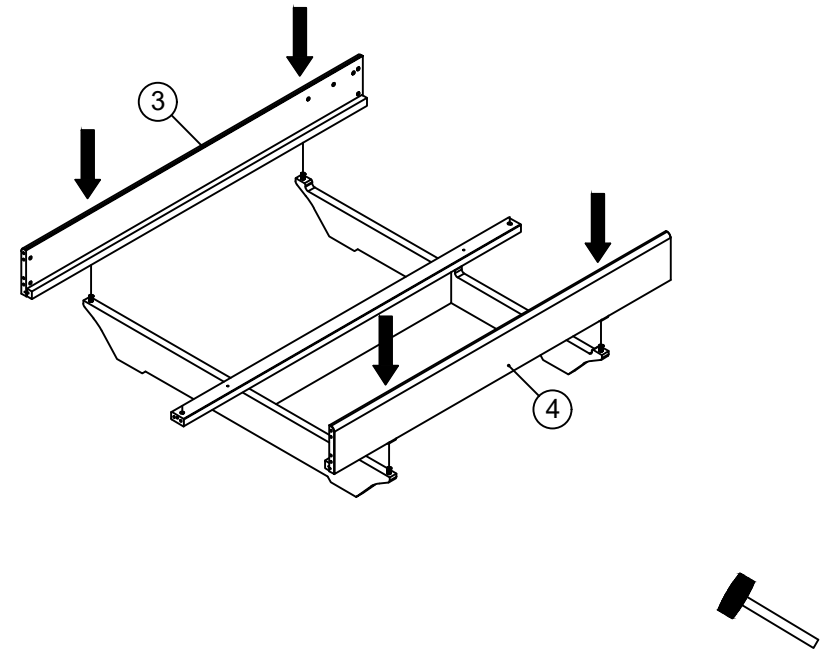


E $\varnothing 16 \times 50$
4 x

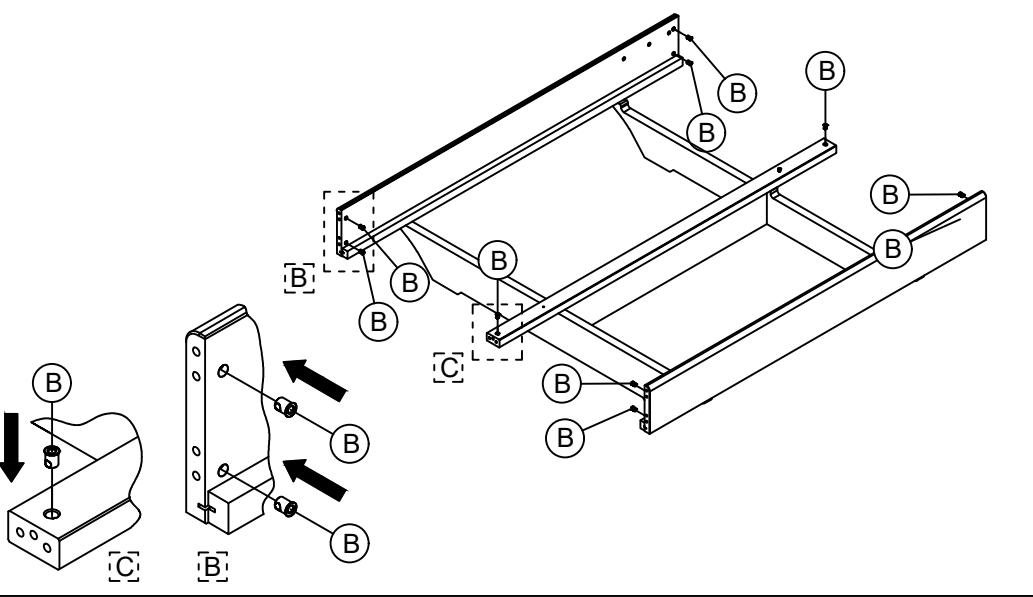


3

4



B $\varnothing 14 \times 17$
10 x

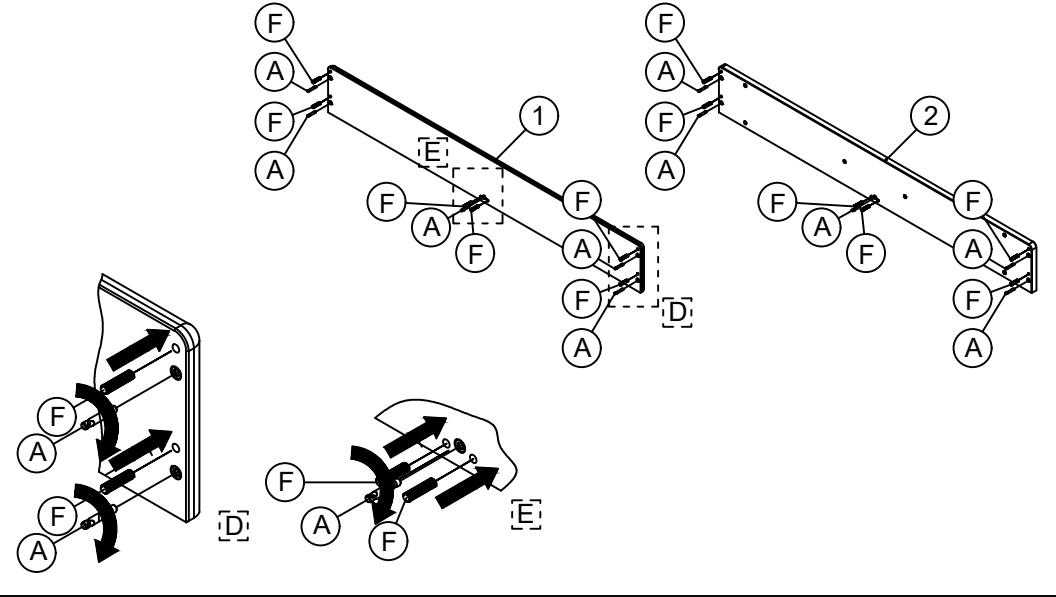


5

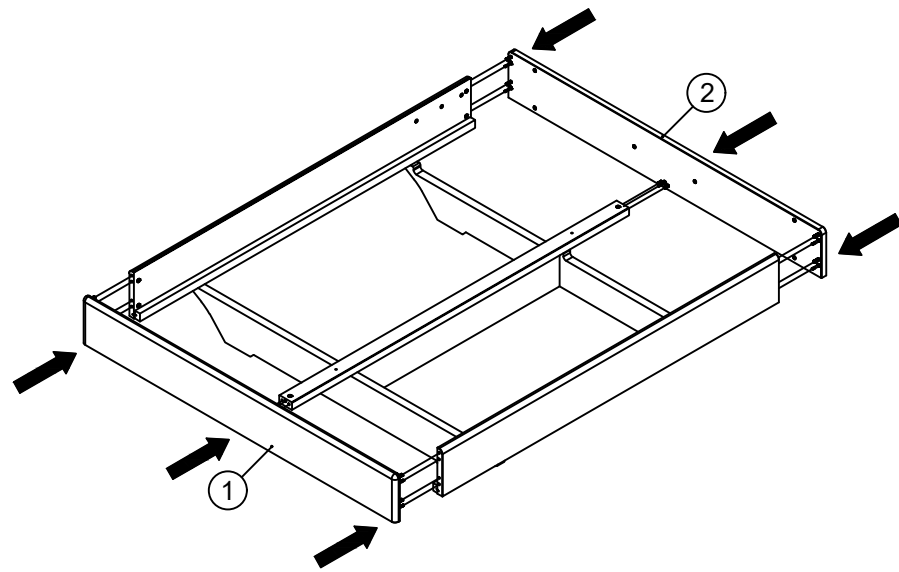
6

A $\varnothing 8 \times 46$
10 x

F $\varnothing 10 \times 40$
12 x

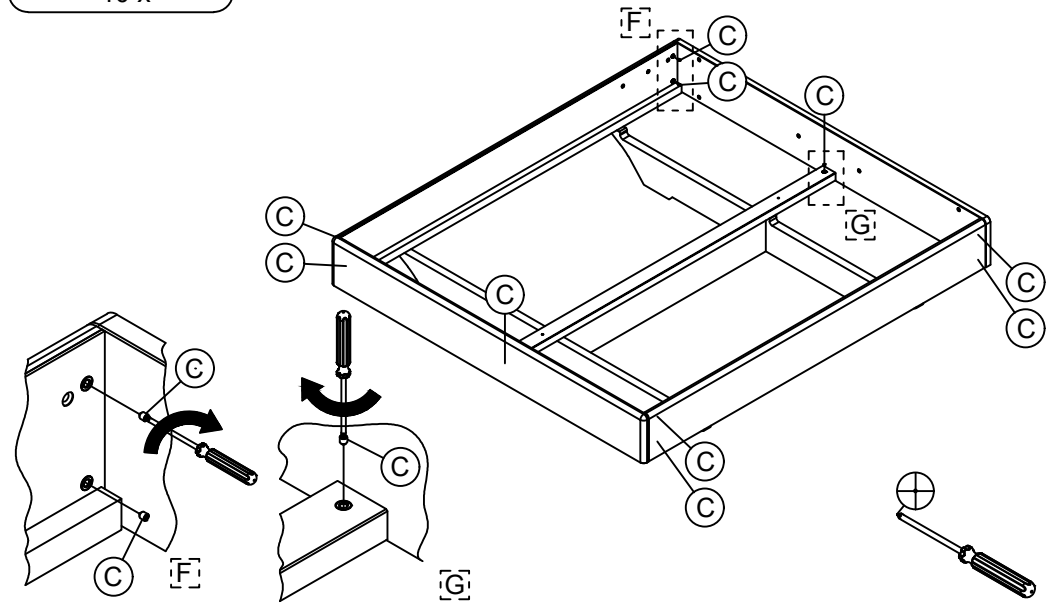


7



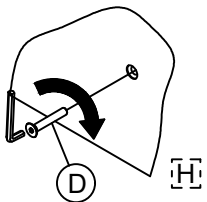
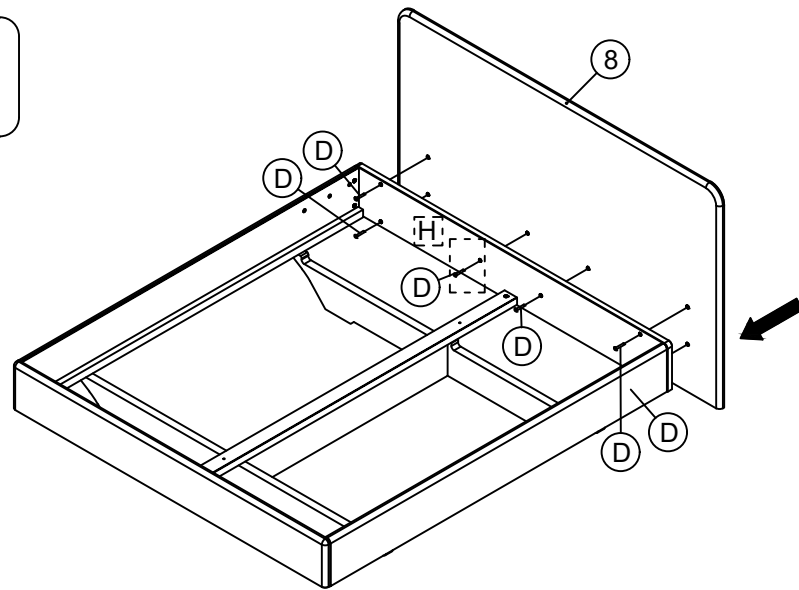
C M8x10
 ●
 10 x

8



9

D M8x50
 ●
 6 x

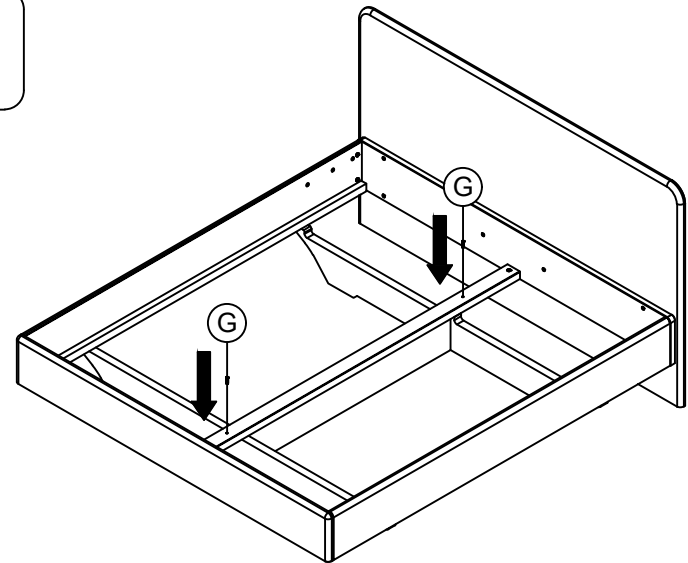


SW 5



10

G Ø8x40
 ●
 2 x



H M8x25
24x

I 90x90x3
6x

